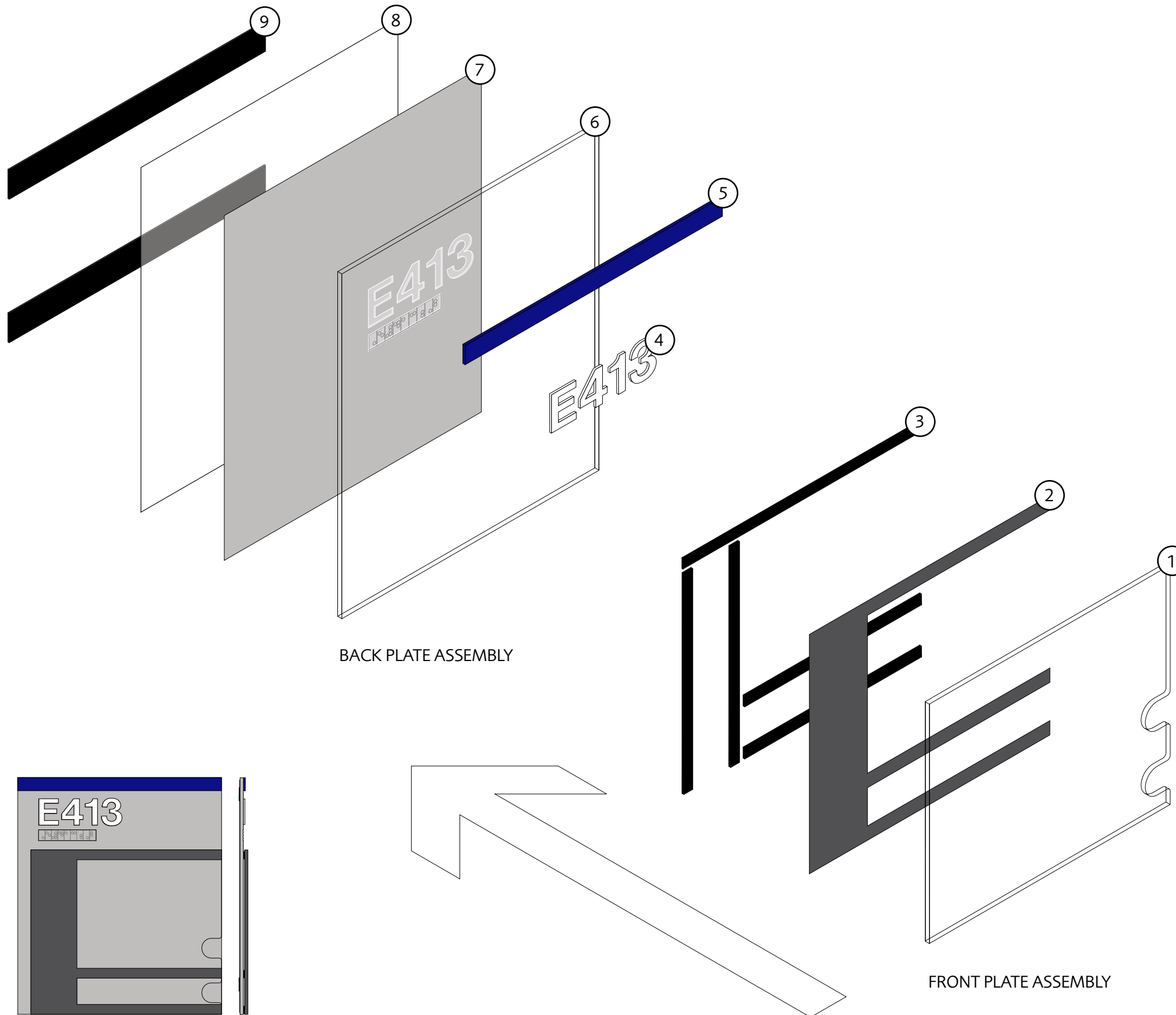


Sign Type A
Office & room sign



BACK PLATE ASSEMBLY

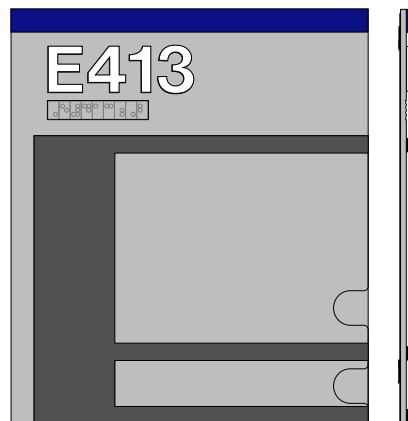
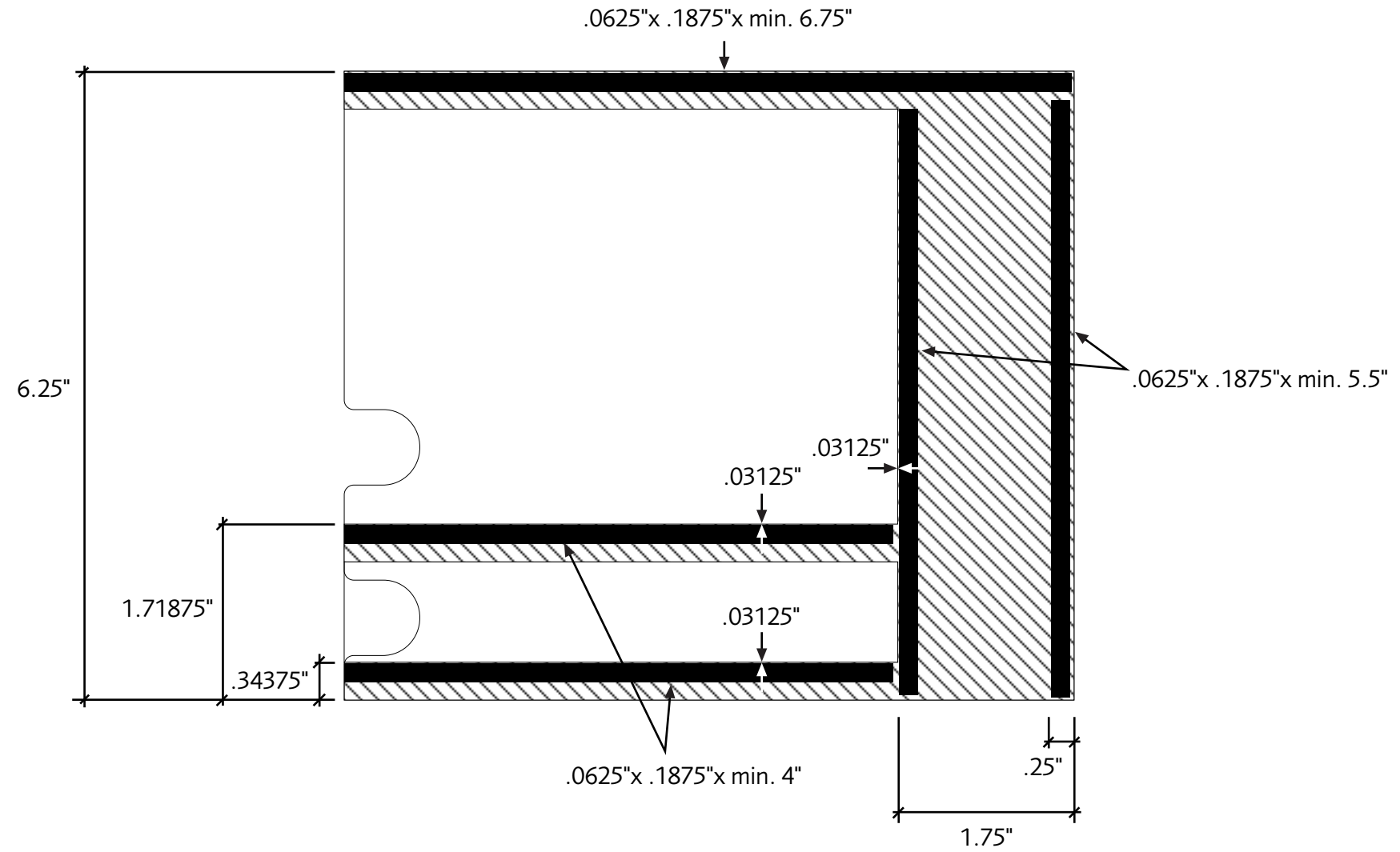
FRONT PLATE ASSEMBLY

Sign Type A Cont.—Room Sign

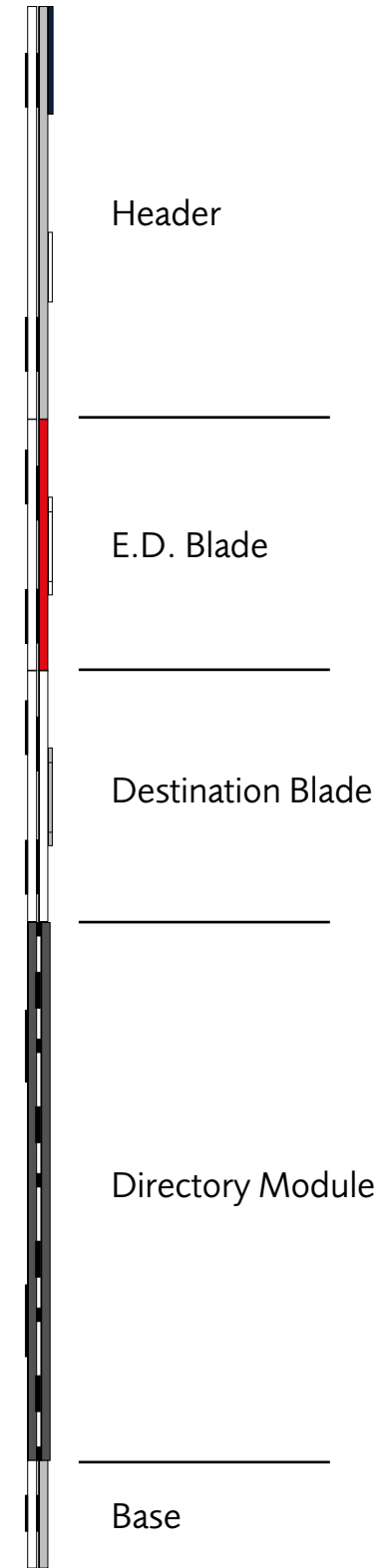
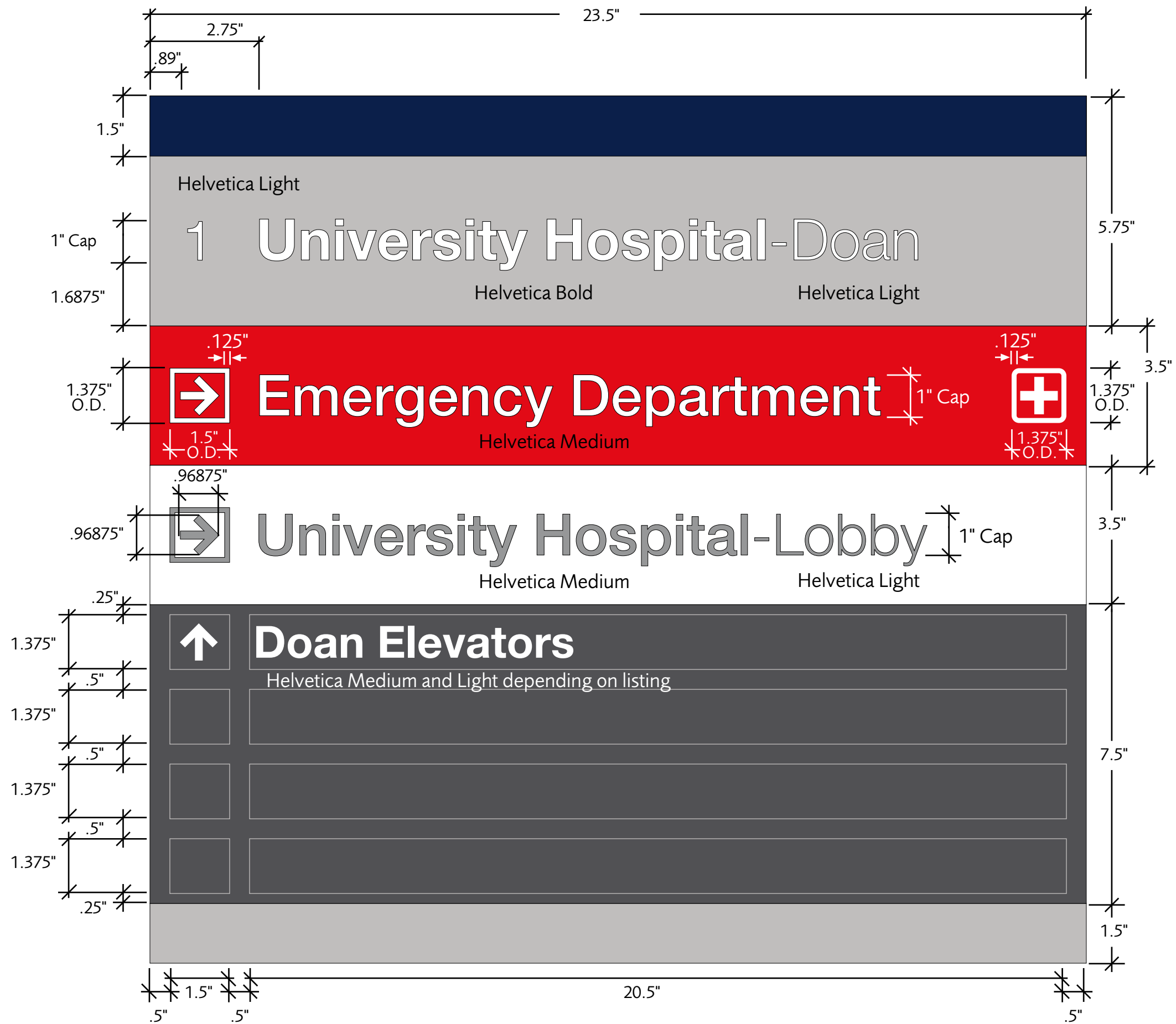
1. .125" non glare Lucite CP acrylic with router cut edges, smooth and free of sharp edges. Custom profiled with .75" thumb holes.
2. Second surface color to match 3M premium vinyl film 220-41, Dark Grey. Leave clear windows for patient information inserts. Top insert window is 4.125"x 5.4375". Bottom Insert window is 1"x 5.4375".
3. Front panel is applied to back panel using .0625"x .1875" 3M brand #4496B foam tape. Taping pattern follows window layout to create channels for inserts.
4. 1" tall x .03125" raised ADA compliant Rowmark 311-204 Bright White room number (Helvetica Medium).
5. Applied top color bar, .5" tall x .0625" Rowmark Ultra-Matte with 3M VHB adhesive with router cut edges, smooth and free of sharp edges. Color determined by specific project location.
6. .125" non glare Lucite CP acrylic with router cut edges, smooth and free of sharp edges engraved to receive 1" tall x .03125" raised ADA compliant Rowmark 311-204 Bright White room number and engraved with corresponding grade II braille cells. No braille text may be surface applied.
7. Second surface color to match 3M premium vinyl film 220-31, Medium Grey.
8. After assembly, sign panel is backed with premium vinyl film or polyester for protection.
9. Room signs are installed using 3M black foam tape #4052, with clear Silicone adhesive as needed.

Sign Type A Office & room sign

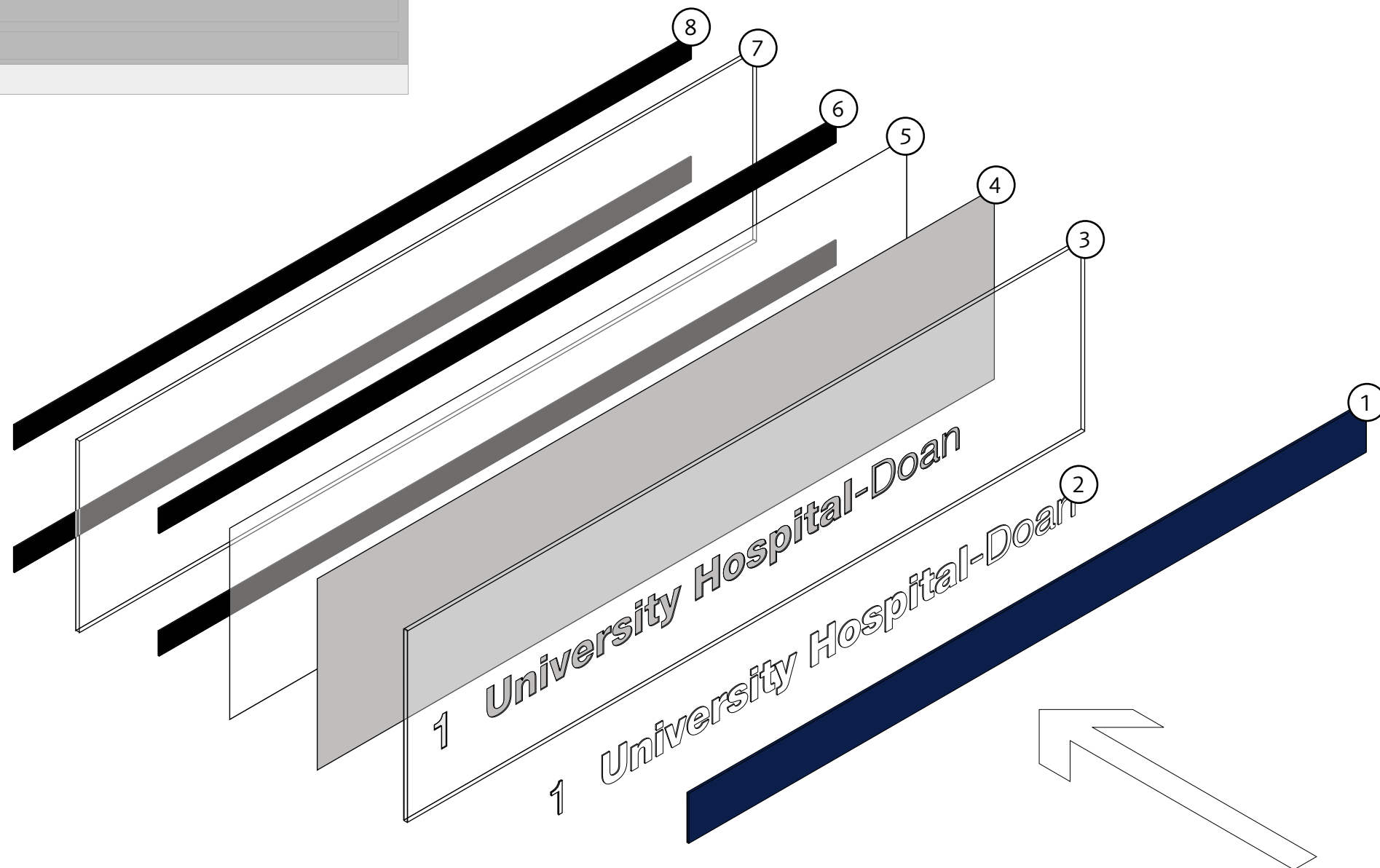
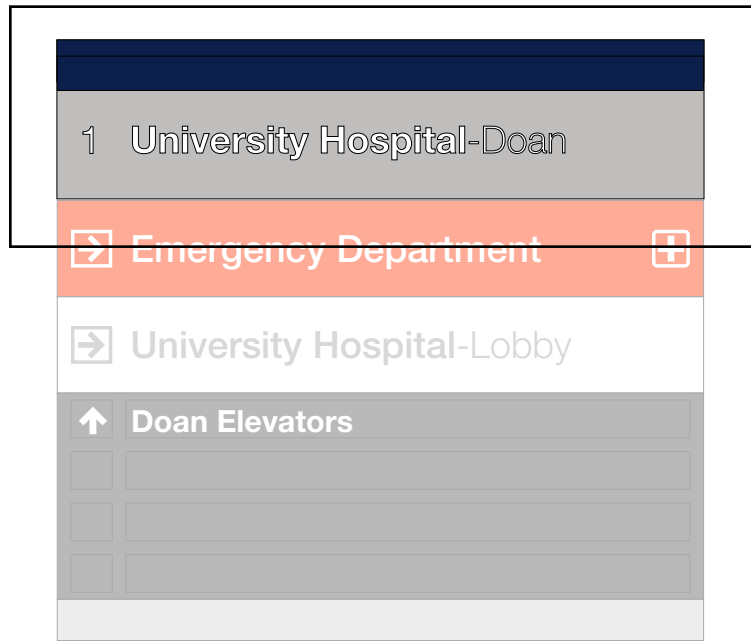
Tape Pattern Detail



Sign Type A
Office & room sign



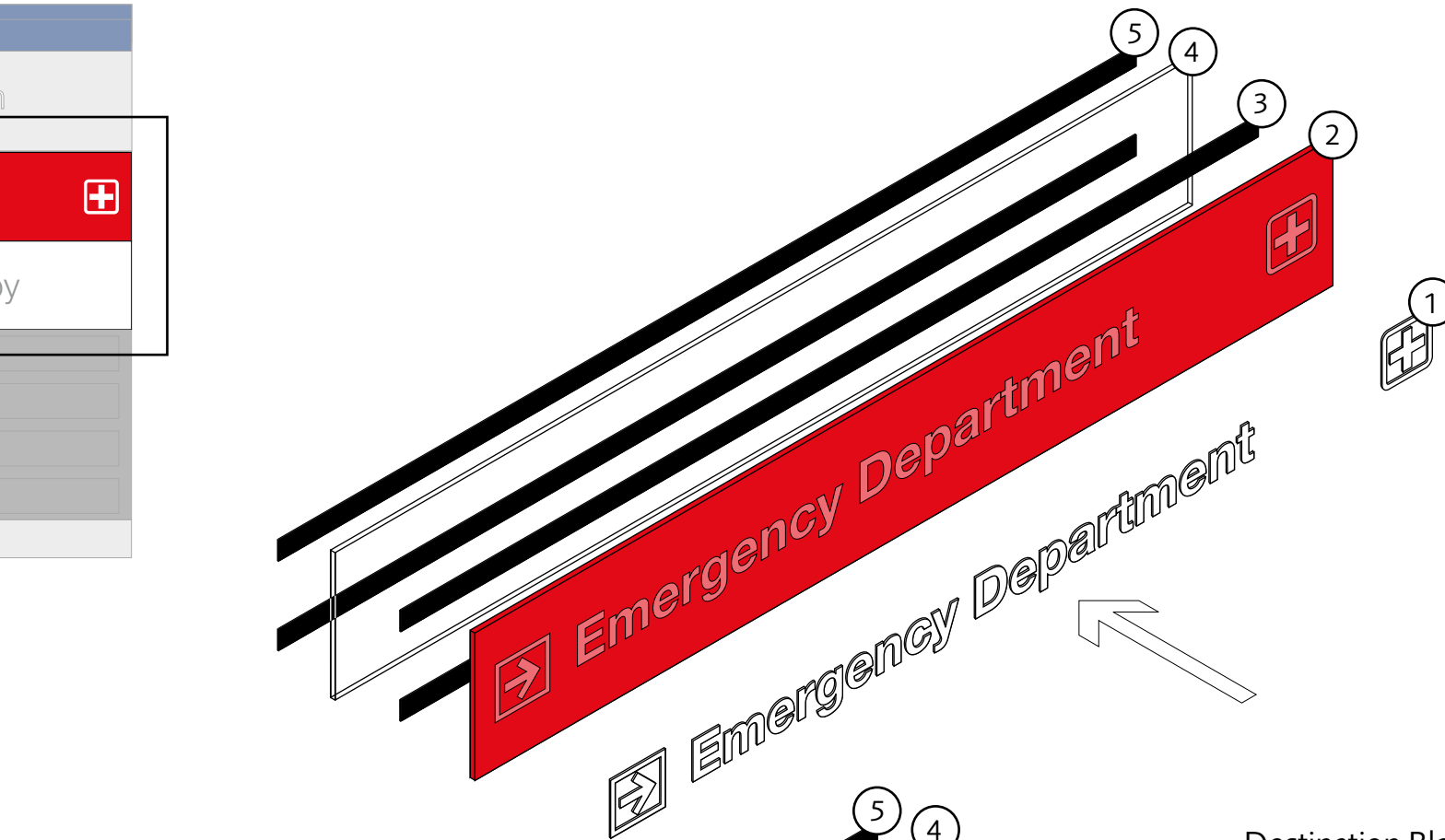
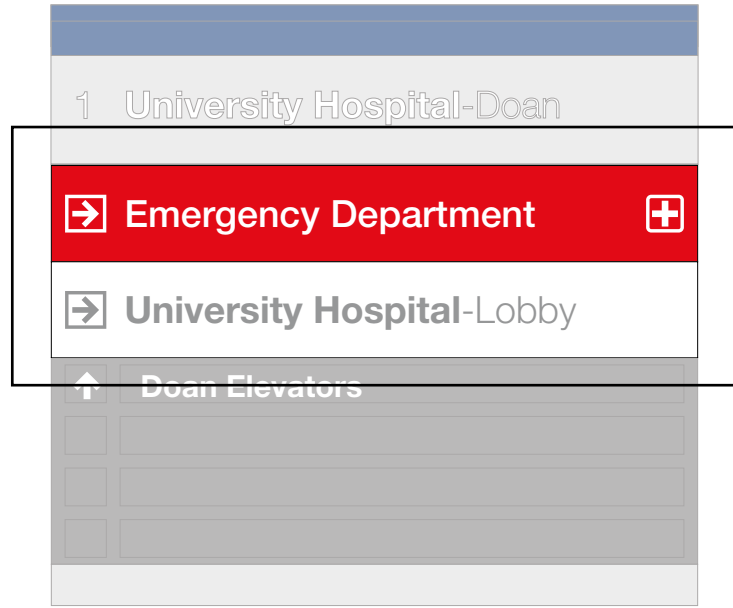
Sign Type B
Directional



Header

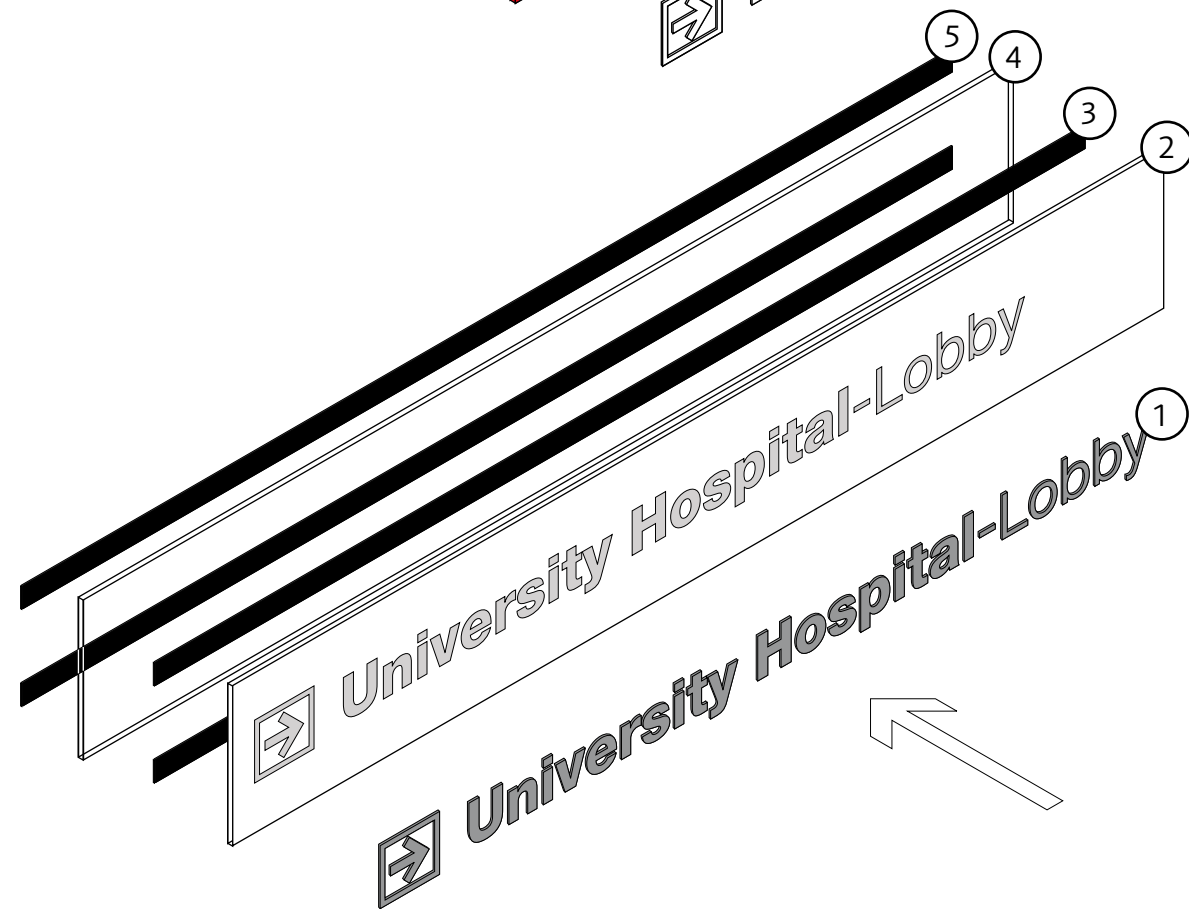
1. Applied top color bar, 1.5" tall x .0625" Rowmark Ultra-Matte with 3M VHB adhesive with router cut edges, smooth and free of sharp edges. Color determined by specific project location.
2. 1" tall x .03125" Rowmark 311-204 Bright White floor number (Helvetica Light) and building name (Helvetica Bold. Sub-name Helvetica light).
3. .125" non glare Lucite CP acrylic with router cut edges, smooth and free of sharp edges engraved to receive 1" tall x .03125" Rowmark 311-204 Bright White floor number and building name.
4. Second surface color to match 3M premium vinyl film 220-31, Medium Grey.
5. Apply premium vinyl film or polyester for protection.
6. Front panel is applied to back panel using 3M .0625" black foam tape #4052.
7. .125" Lucite CP acrylic with router cut edges, smooth and free of sharp edges.
8. Signs are installed using 3M black foam tape #4052 with clear Silicone adhesive as needed.

Sign Type B
Directional



E.D. Blade

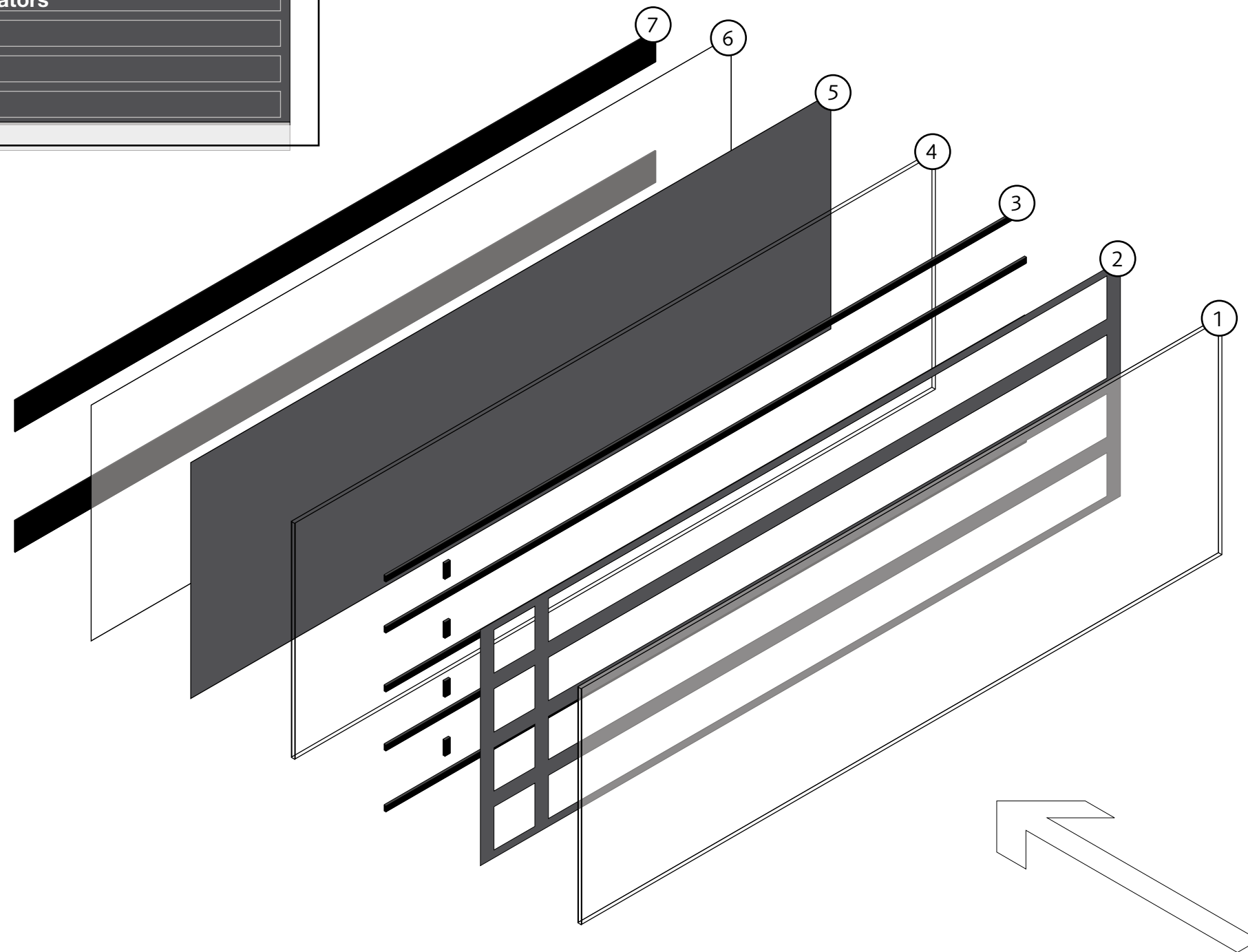
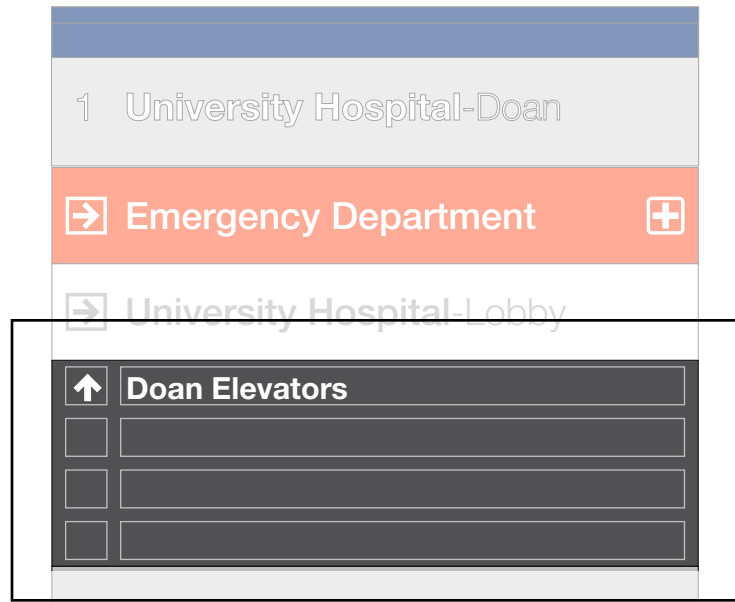
1. 1" tall x .03125" Rowmark 311-204 Bright White text (Helvetica Medium) and symbols.
2. .125" Rowmark 3-601 Ultra-Matte (matte/red) reverse engravable stock with router cut edges, smooth and free of sharp edges engraved to receive 1" tall x .03125" Rowmark 311-204 Bright White Emergency Department text.
3. Front panel is applied to back panel using 3M .0625" black foam tape #4052.
4. .125" Lucite CP acrylic with router cut edges, smooth and free of sharp edges.
5. Signs are installed using 3M black foam tape #4052, with clear Silicone adhesive as needed.



Destination Blade

1. 1" tall x .03125" Rowmark 311-301, Grey text (Helvetica Medium and Helvetica Light sub-name) and symbols.
2. .125" Rowmark 3-201 Ultra-Matte (matte/white) reverse engravable stock with router cut edges, smooth and free of sharp edges engraved to receive 1" tall x .03125" Rowmark 311-301, Grey text.
3. Front panel is applied to back panel using 3M .0625" black foam tape #4052.
4. .125" Lucite CP acrylic with router cut edges, smooth and free of sharp edges.
5. Signs are installed using 3M black foam tape #4052, with clear Silicone adhesive as needed.

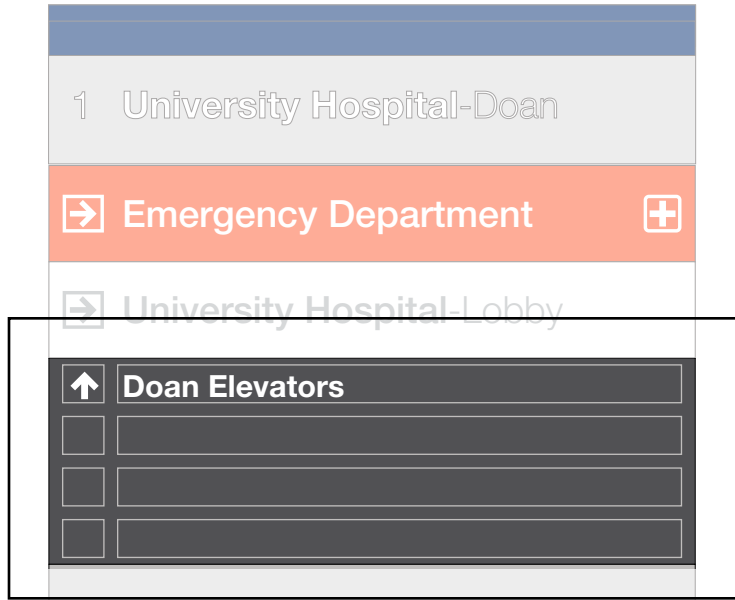
Sign Type B
Directional



Directory Module

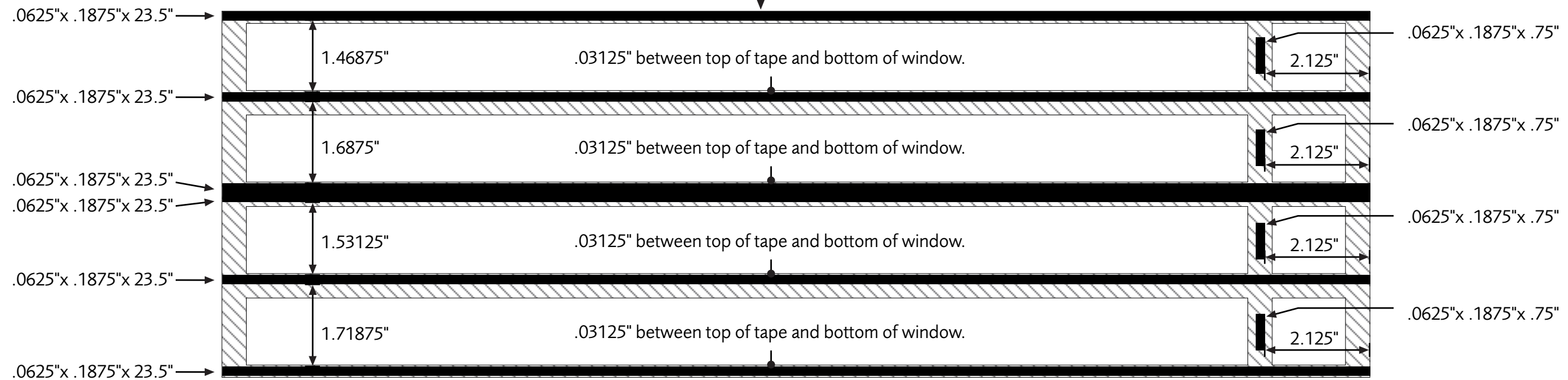
1. .125" non glare Lucite CP acrylic with router cut edges, smooth and free of sharp edges.
2. Second surface color to match 3M premium vinyl film 220-41, Dark Grey. Leave clear windows for directional arrows and directory inserts. Insert windows for arrows are 1.375"x 1.5". Insert windows for directory inserts are 1.375"x 20.5".
3. Front panel is applied to back panel using .0625"x .1875" 3M brand #4496B foam tape. Taping pattern follows window layout to create channels for inserts.
4. .125" non glare Lucite CP acrylic with router cut edges, smooth and free of sharp edges.
5. Second surface color to match 3M premium vinyl film 220-41, Dark Grey.
6. Apply premium vinyl film or polyester for protection.
7. Signs are installed using 3M black foam tape #4052, with clear Silicone adhesive as needed.

Sign Type B
Directional

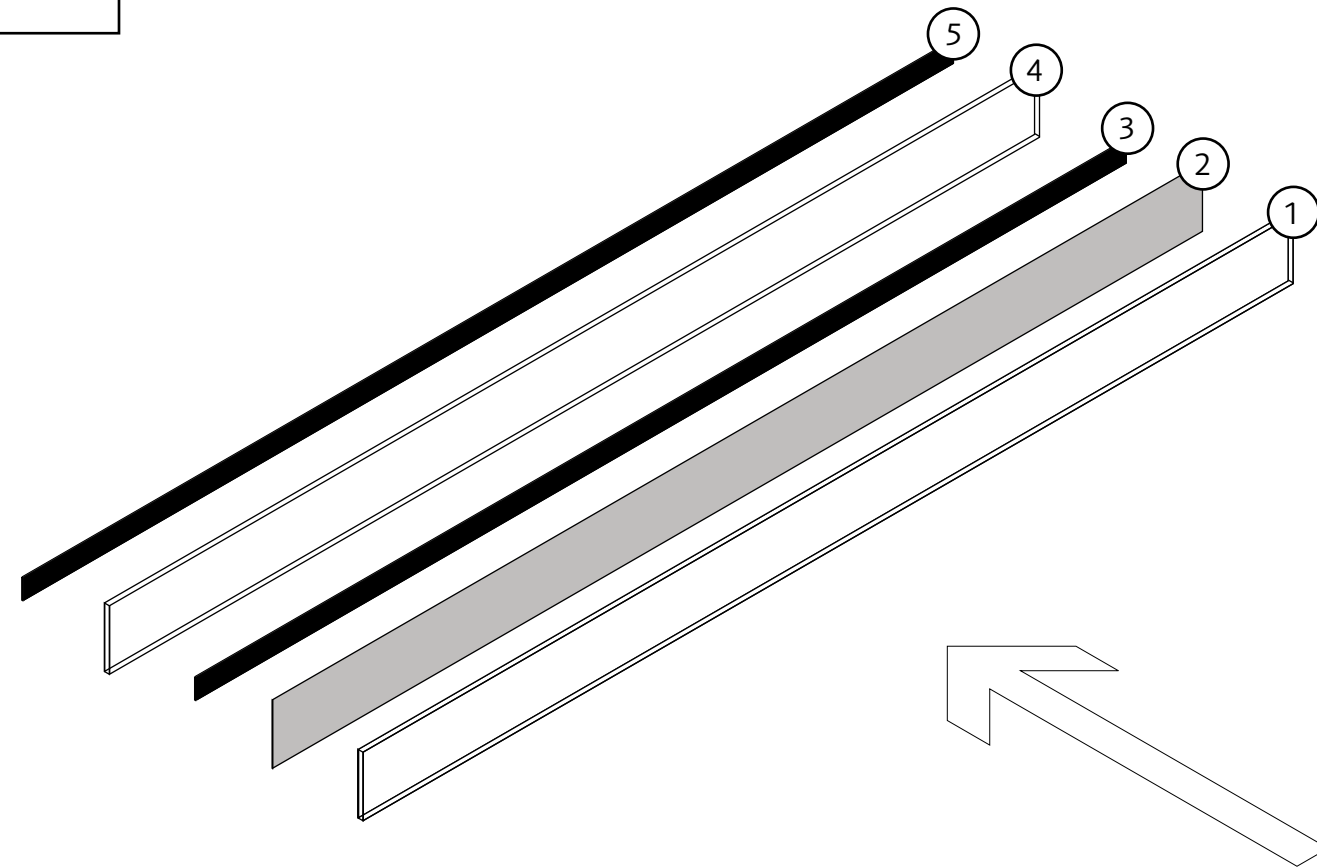
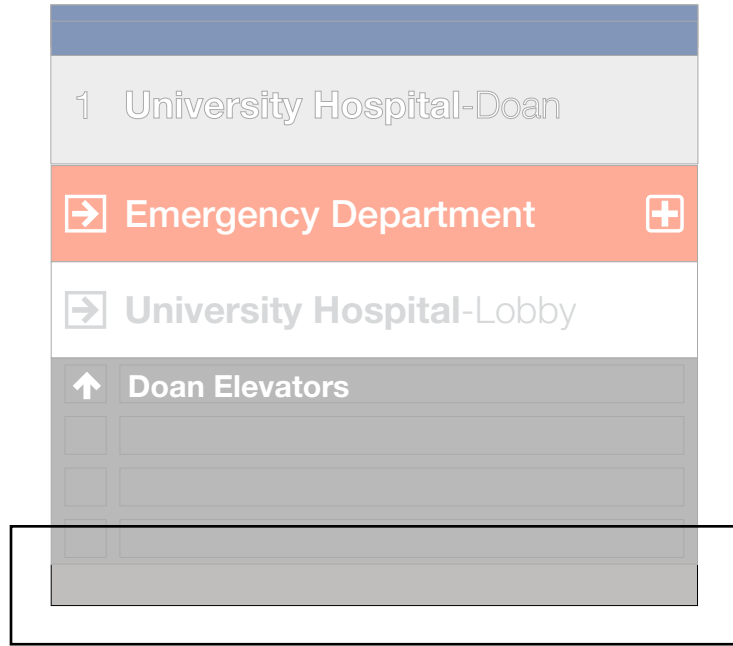


Tape Pattern Detail

Flush tape with edge of acrylic.



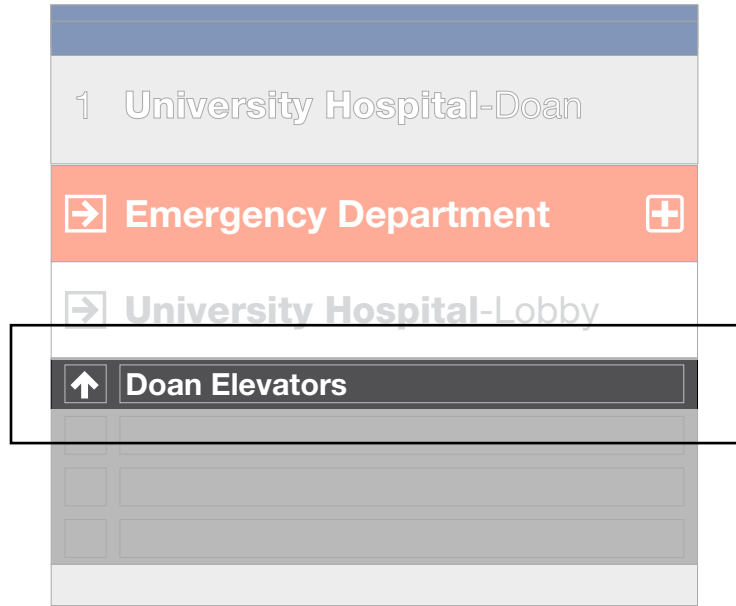
Sign Type B
Directional



Base

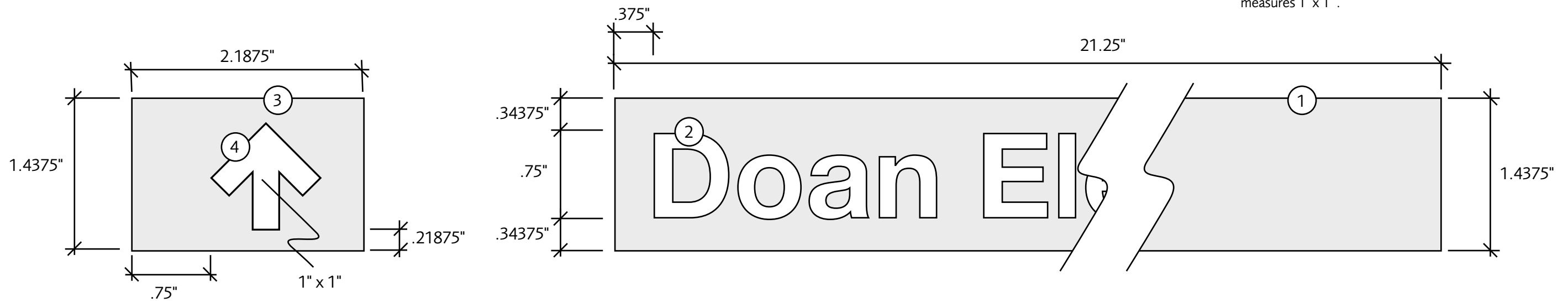
1. .125" non glare Lucite CP acrylic with router cut edges, smooth and free of sharp edges.
2. Second surface color to match 3M premium vinyl film 220-31, Medium Grey.
3. Front panel is applied to back panel using 3M black foam tape #4052.
4. .125" Lucite CP acrylic with router cut edges, smooth and free of sharp edges.
5. Signs are installed using 3M black foam tape #4052, with clear Silicone adhesive as needed.

Sign Type B
Directional

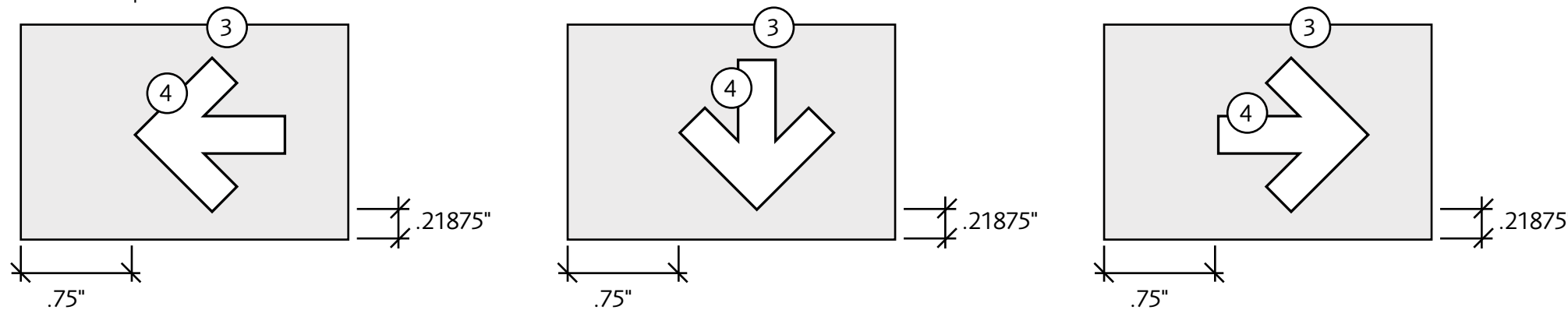


Inserts

1. 1.4375" x 21.25" LEXEDGE II, 10 mil material marketed by GERBER Scientific Products .
2. Gerber Spot Color #10 (white) print second surface. Text .75" cap height Helvetica Medium or Light depending on listing.
3. 1.4375" x 2.1875" LEXEDGE II, 10 mil material marketed by GERBER Scientific Products .
4. Gerber Spot Color #10 (white) print second surface. Arrow measures 1" x 1" .



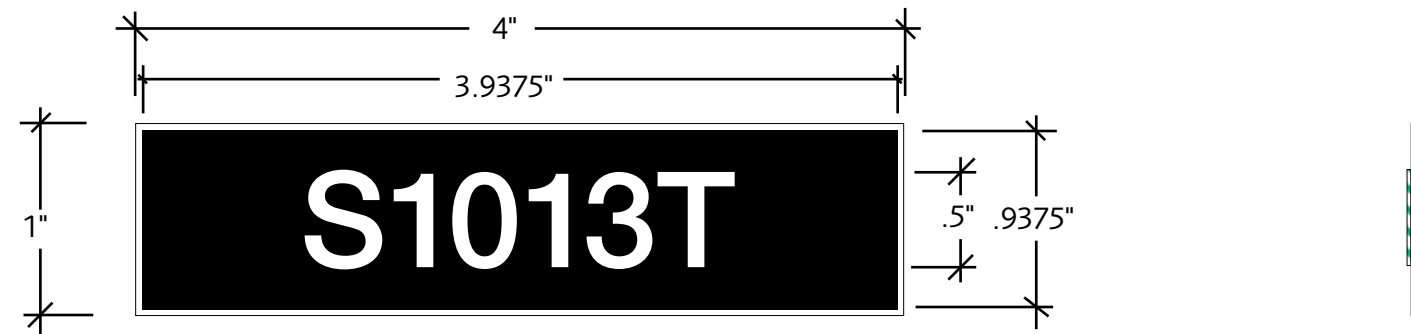
Arrow orientation examples:



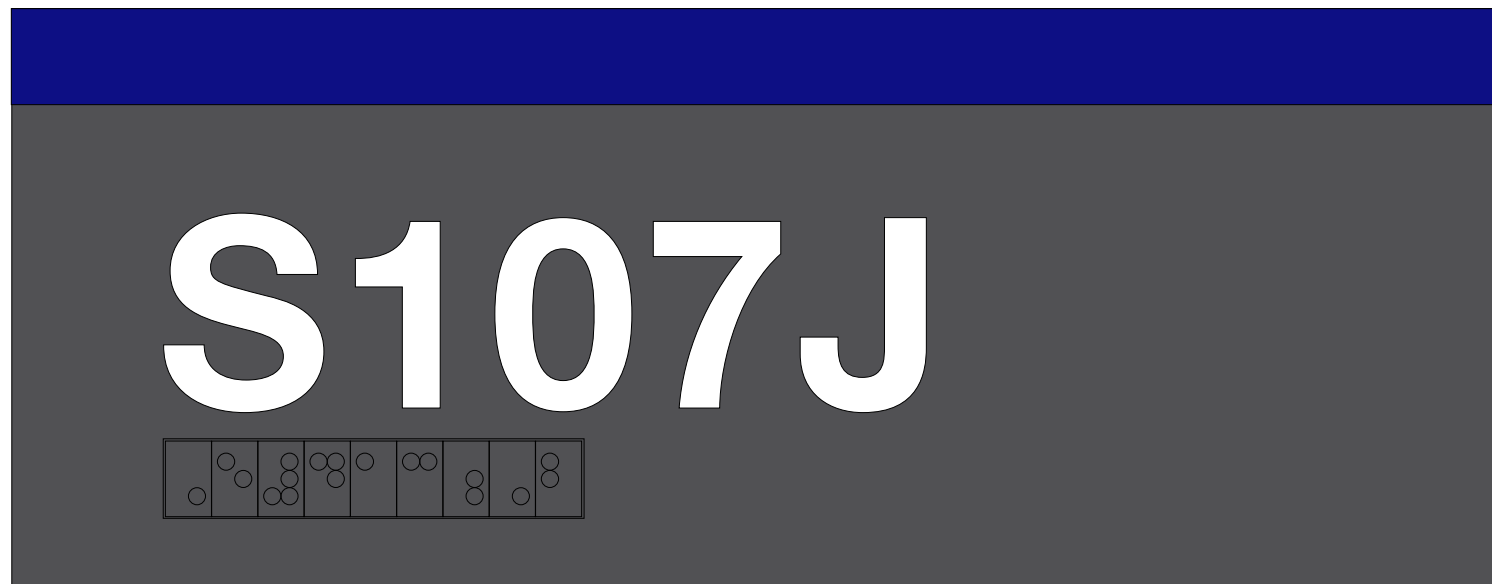
Sign Type B
Directional

Sign Type C—Small room number sign

1. Engraving stock, color #3-402 black/white. Router cut edges, smooth and free of sharp edges. .0625" thickness with tissue tape back. Engraved .5" cap height Helvetica Medium type.



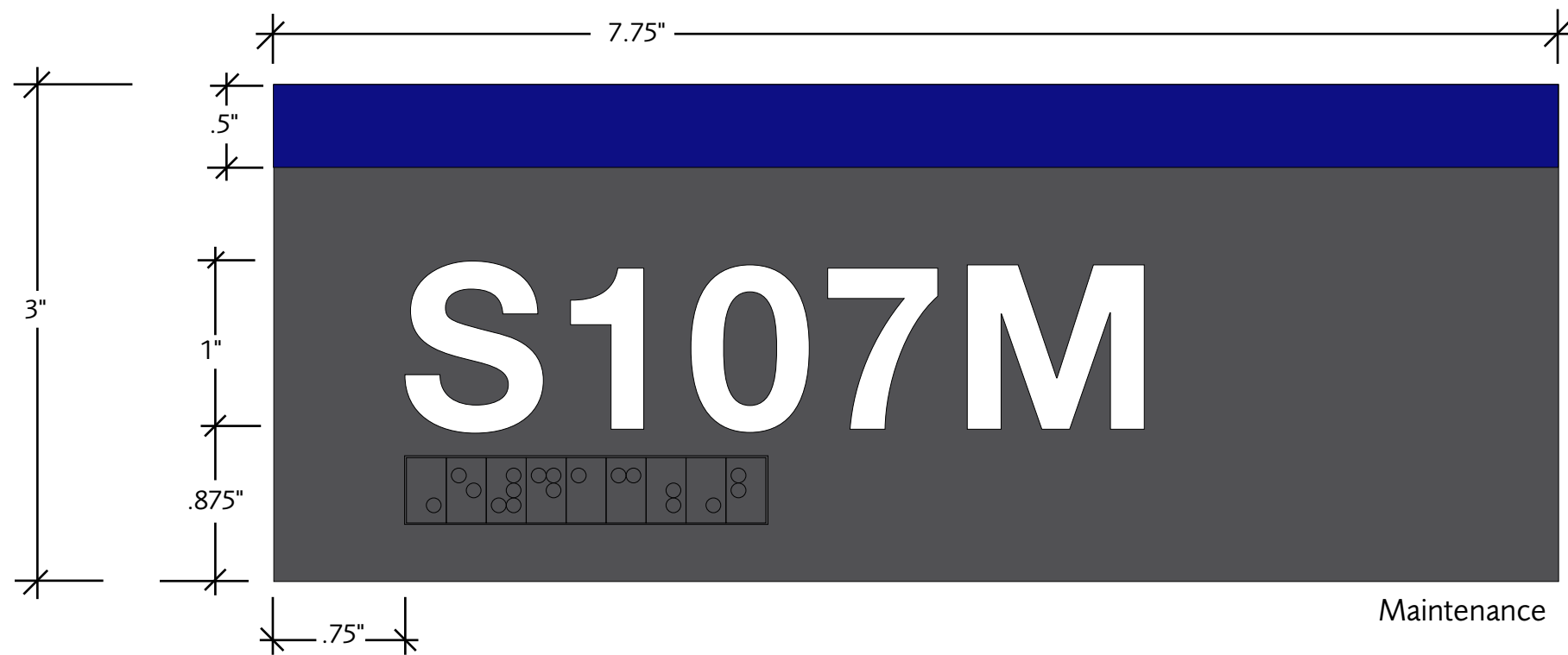
Sign Type C
Small room sign



Janitorial



Shower



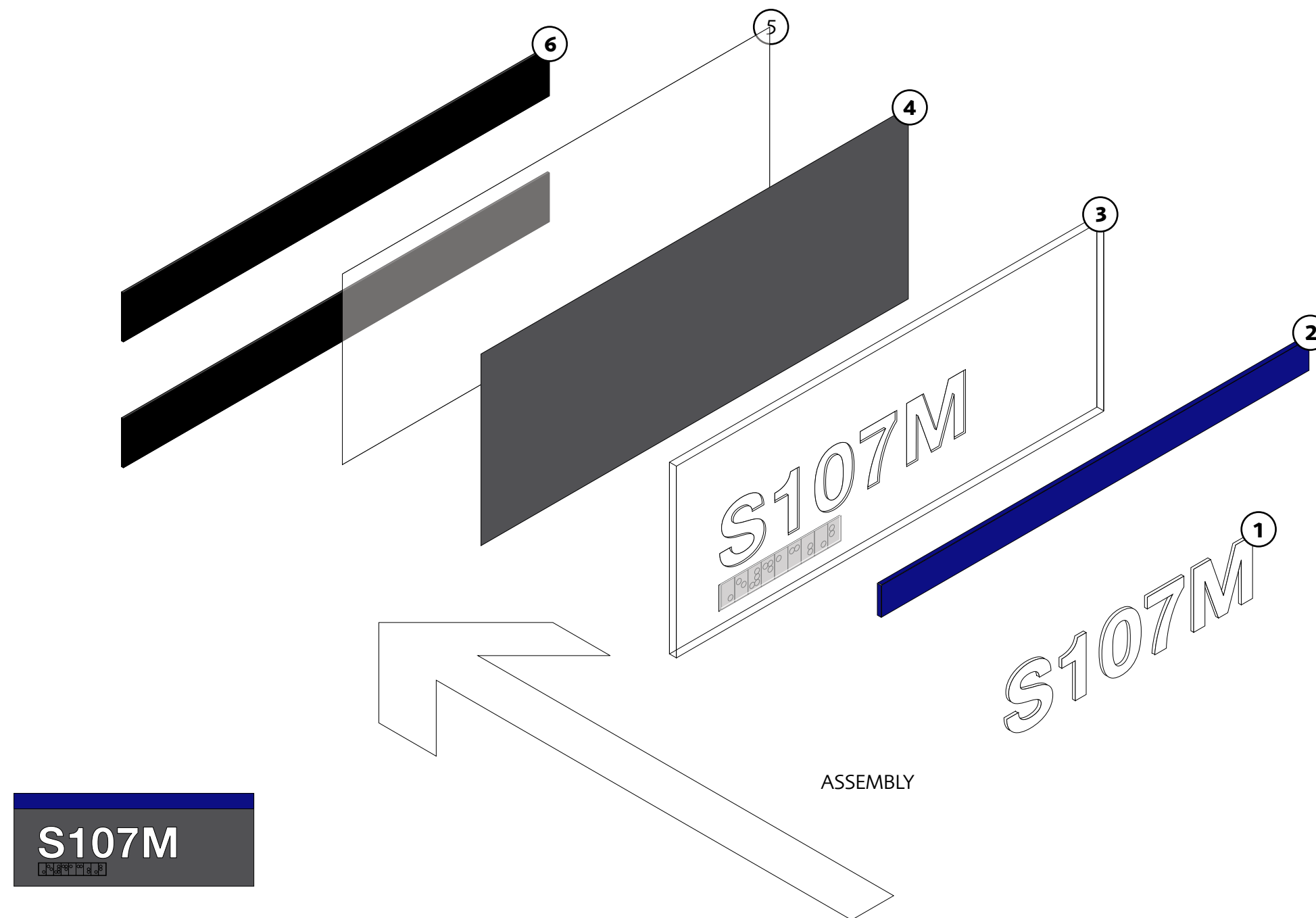
Maintenance



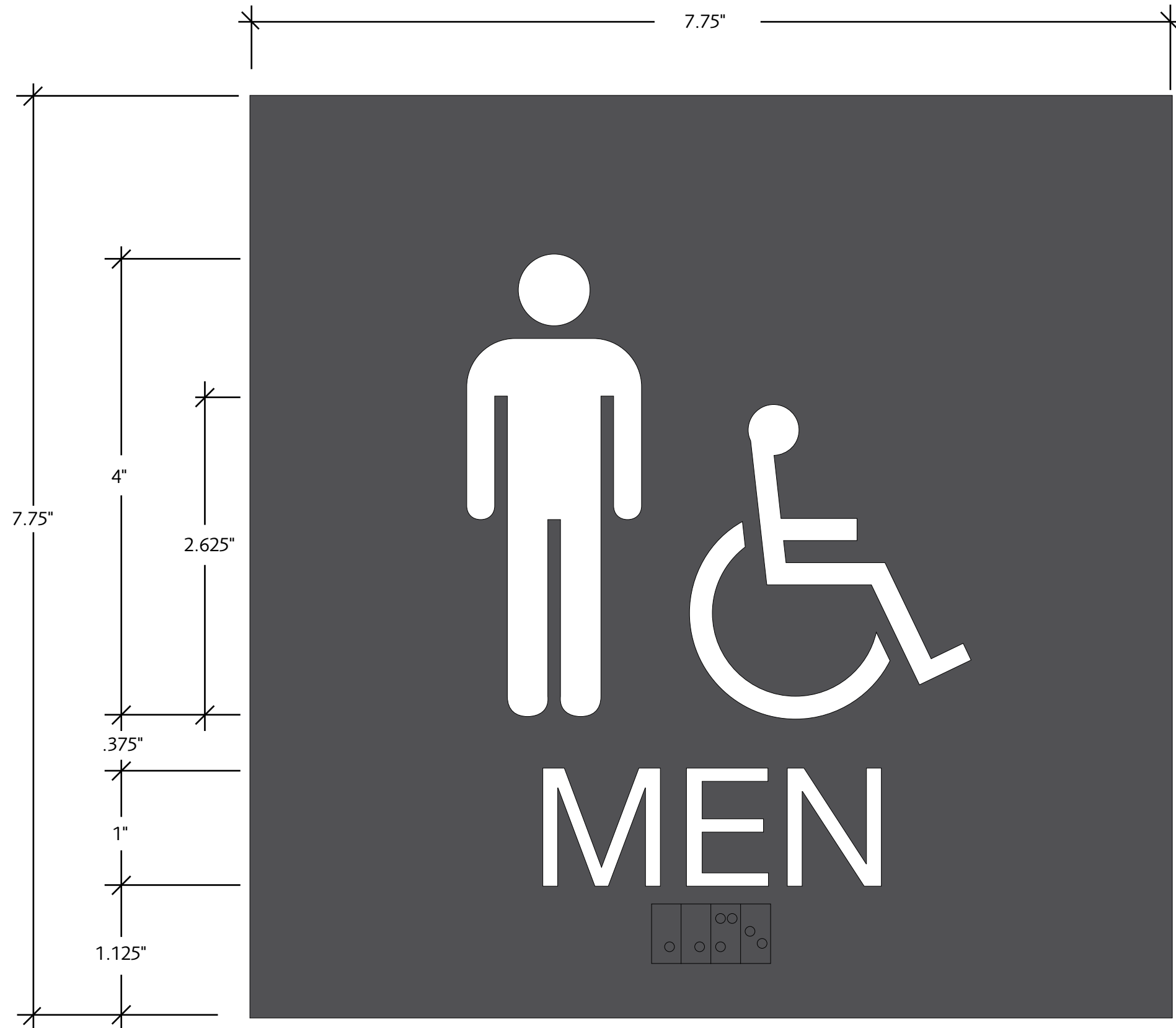
Sign Type D
Facilities
identification

Sign Type D Cont.—Facilities identification

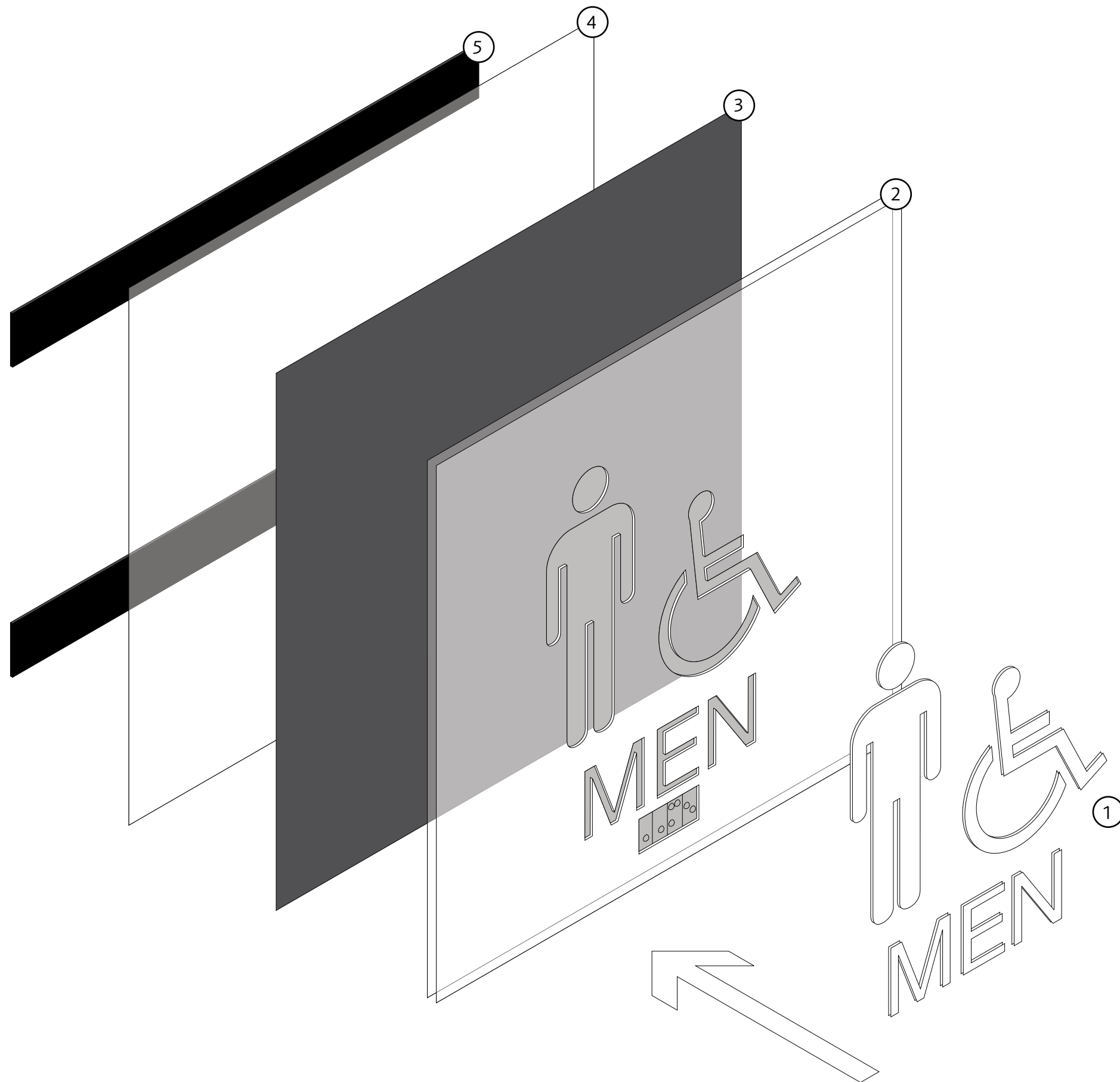
1. 1" tall x .03125" raised ADA compliant Rowmark 311-204 Bright White Helvetica Medium room number.
2. Applied top color bar, .5" tall x .0625" Rowmark Ultra-Matte with 3M VHB adhesive, with color determined by specific project location.
3. .125" non glare Lucite CP acrylic with router cut edges, smooth and free of sharp edges engraved to receive Rowmark 311-204 Bright White room number and engraved with corresponding grade II braille cells. No braille text may be surface applied.
4. Second surface color to match 3M premium vinyl film 220-41, Dark Grey.
5. Apply premium vinyl film or polyester for protection.
6. Room signs are installed using 3M black foam tape #4052, with clear Silicone adhesive as needed.



Sign Type D
Facilities
identification



Sign Type E
Restroom sign



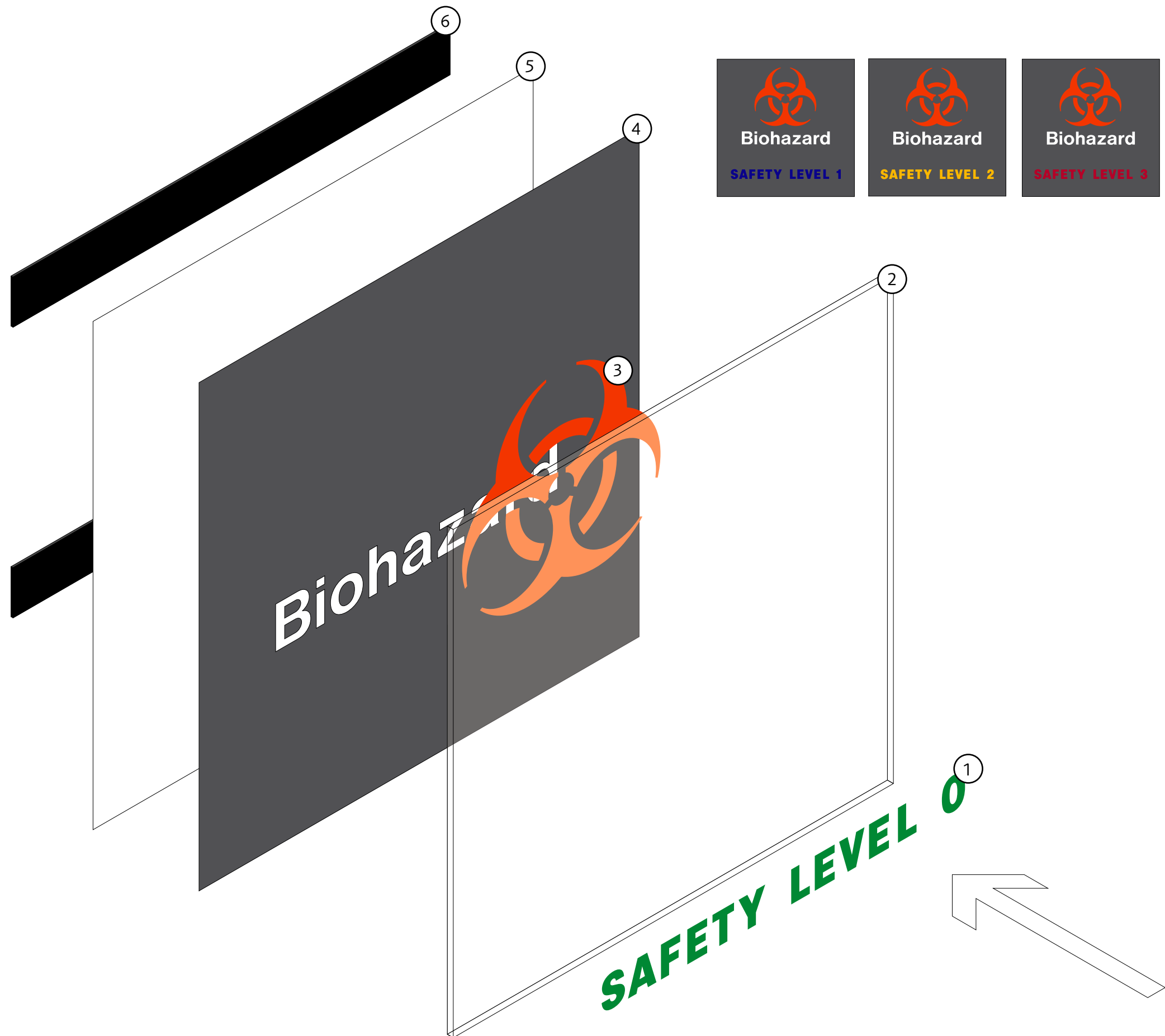
Sign Type E Cont.—Restroom

1. 1" tall x .03125" Rowmark 311-204 Bright White Helvetica Medium text. 4" tall x .03125" Rowmark 311-204 Bright White men/women symbols. 2.625" tall x .03125" Rowmark 311-204 Bright White handicap symbol.
2. .125" non glare Lucite CP acrylic with router cut edges, smooth and free of sharp edges engraved to receive Rowmark 311-204 Bright White symbols and text and engraved with corresponding grade II braille cells. No braille text may be surface applied.
3. Second surface color to match 3M premium vinyl film 220-41, Dark Grey.
4. Apply premium vinyl film or polyester for protection.
5. Signs are installed using 3M black foam tape #4052, with clear Silicone adhesive as needed.

Sign Type E
Restroom sign



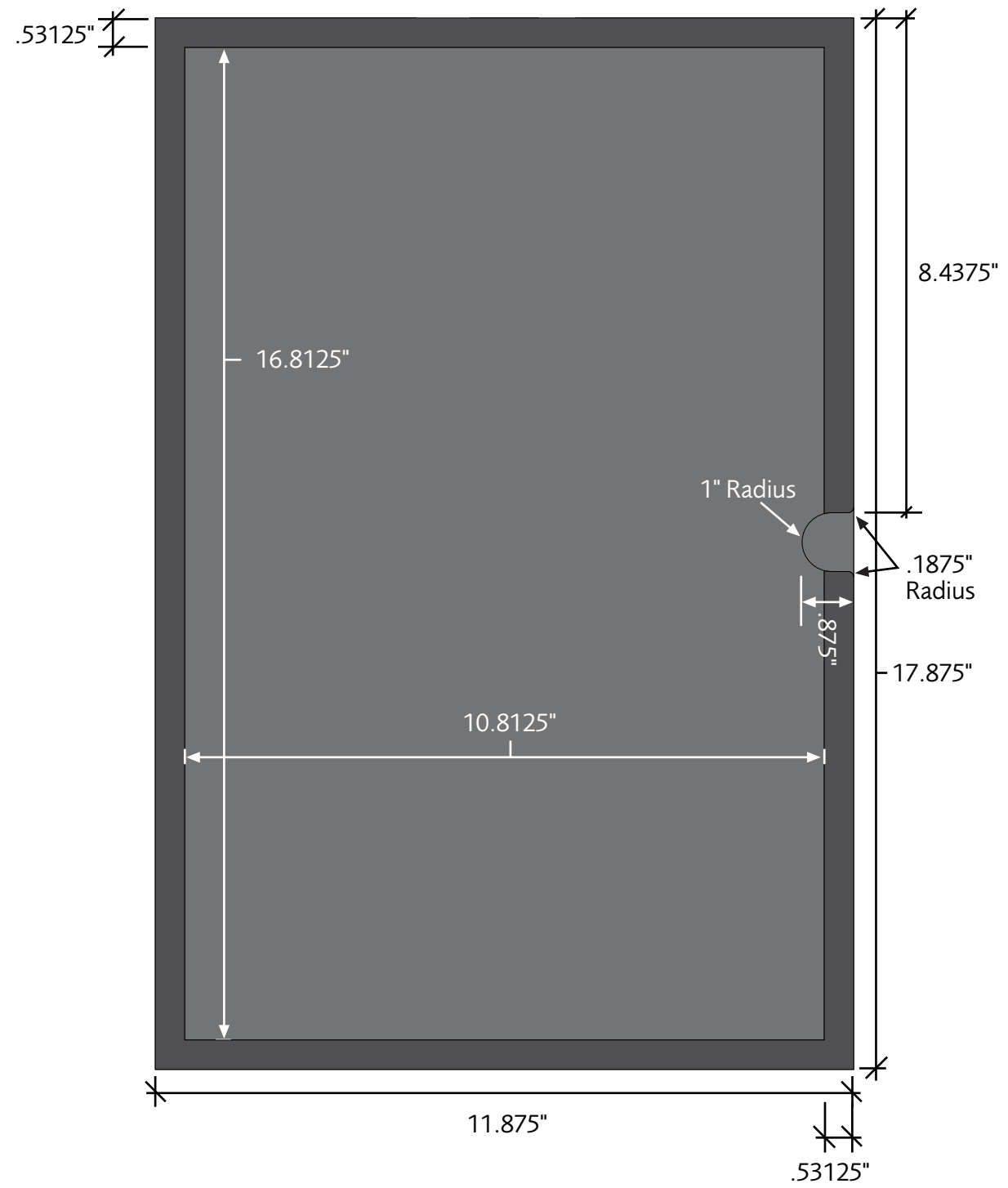
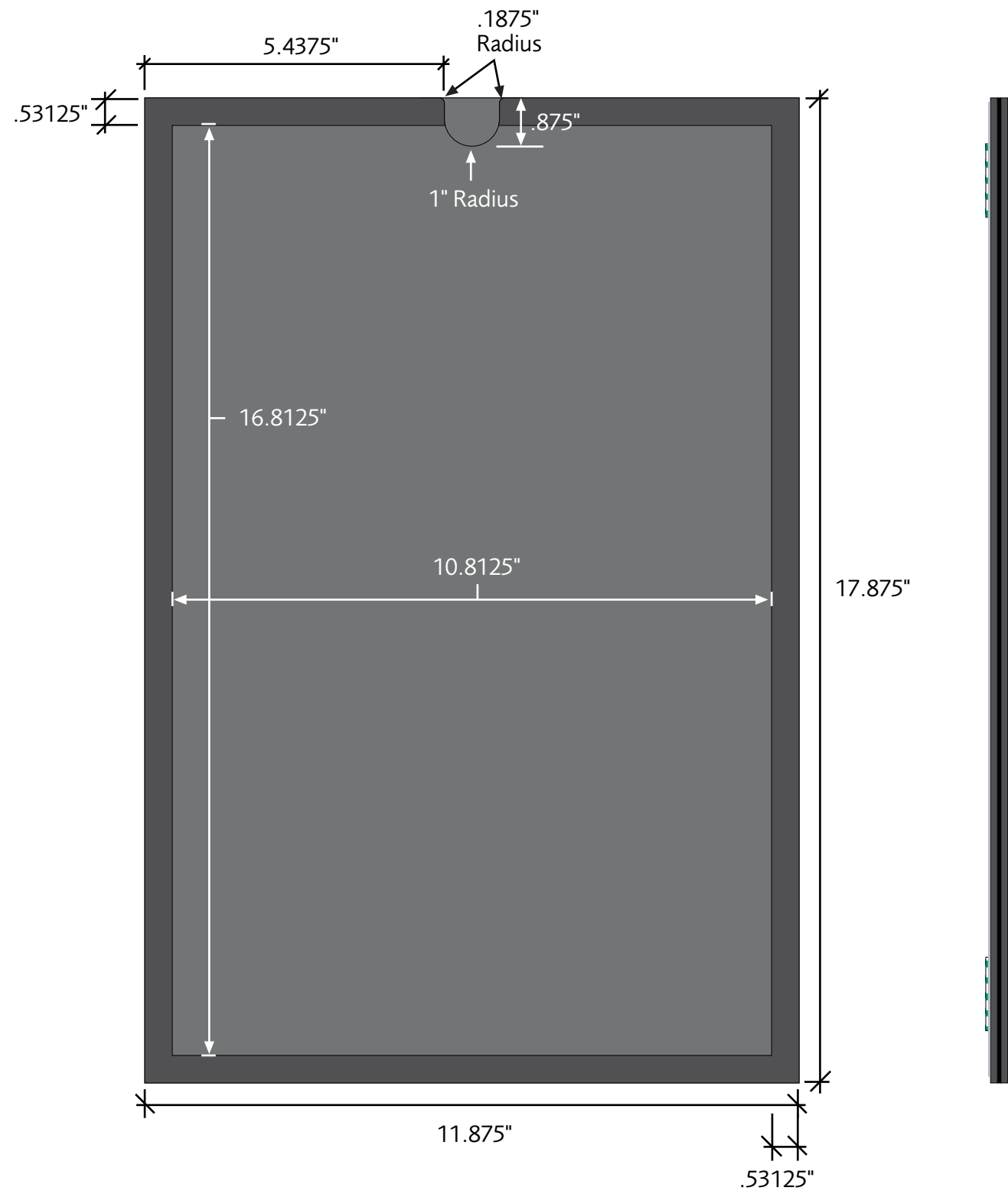
Sign Type F
Biohazard with
Safety Level sign



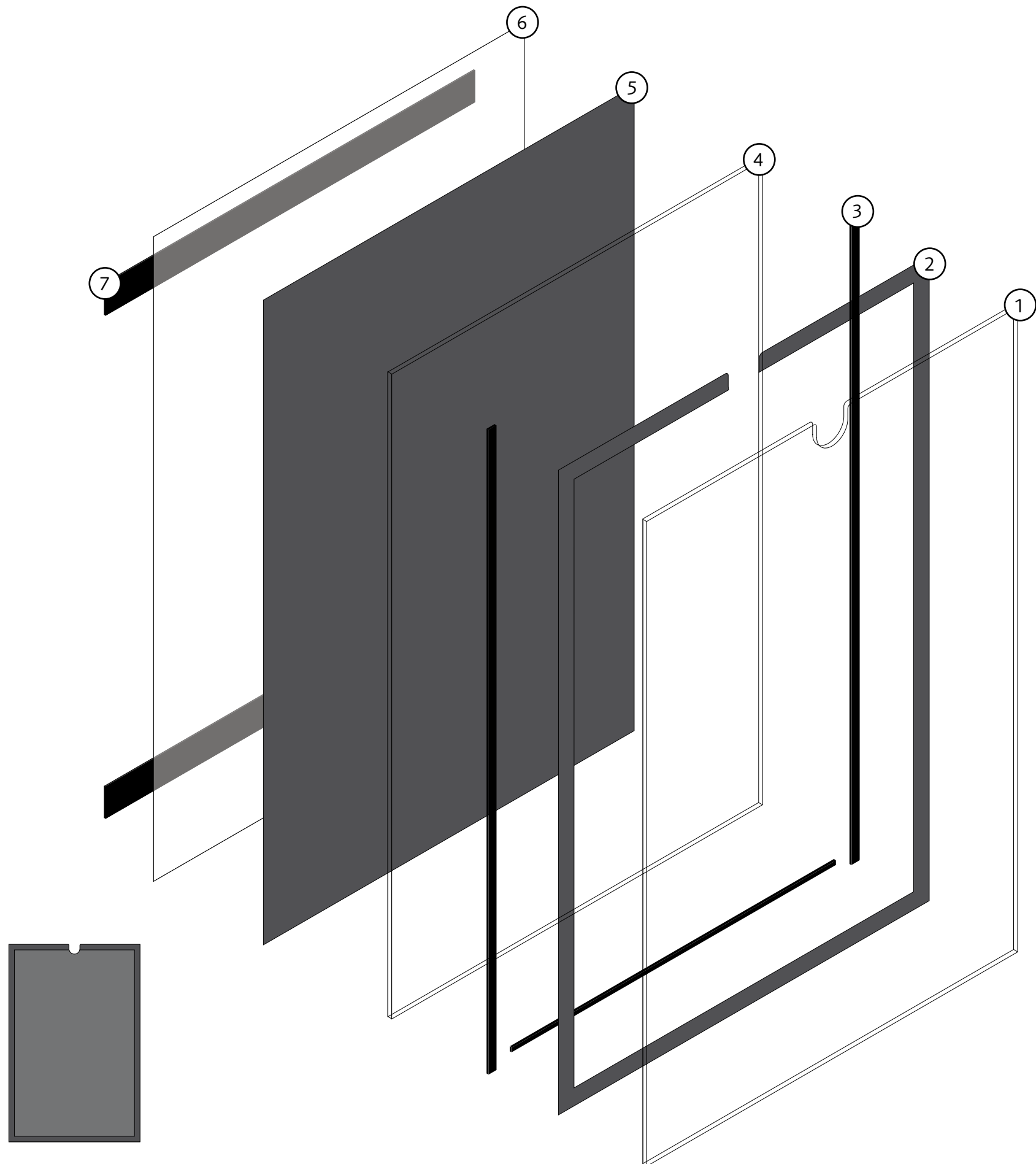
Sign Type F Cont.—Biohazard with Safety Level Sign

1. First surface .5625" tall Helvetica Medium (CAPS) 3M premium vinyl film. Safety Level 0 color match Pantone 347 CVC. Safety Level 1 color match Pantone 072 CVC. Safety Level 2 color match Pantone 123 CVC. Safety Level 3 color match Pantone 186 CVC.
2. 7.75"x 7.75"x .125" non glare Lucite CP acrylic with router cut edges, smooth and free of sharp edges.
3. Second surface color to match Pantone 805 C 2X.
4. Screen print second surface color to match 3M premium vinyl film 220-41, Dark Grey. The word Biohazard knocked-out Helvetica Medium.
5. Screen print second surface white.
6. Signs are installed using 3M black foam tape #4052, with clear Silicone adhesive as needed.

Sign Type F
Biohazard with Safety Level sign



Sign Type G
11 x 17"
insert holder

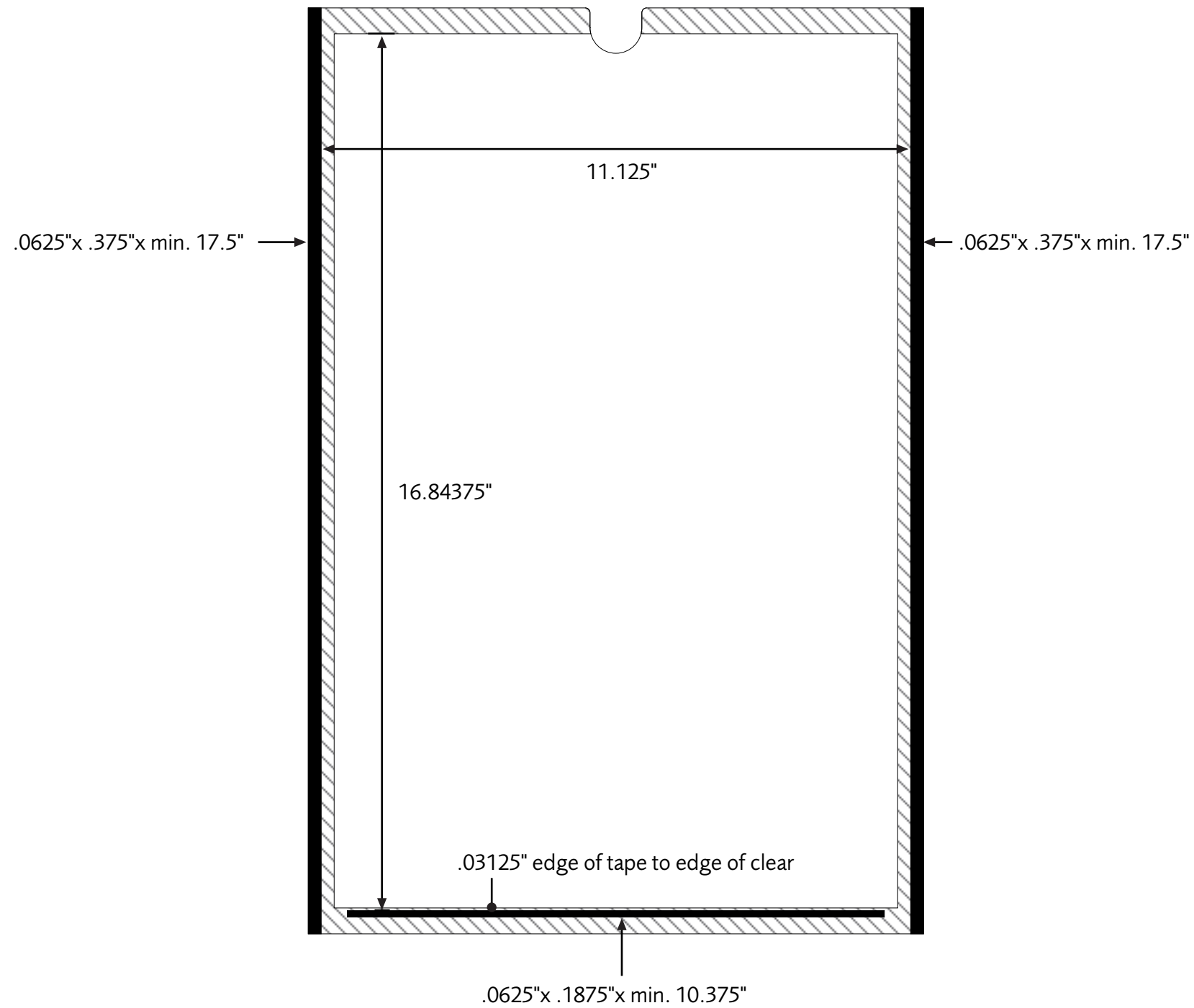


Sign Type G Cont.—11 x 17" insert holder

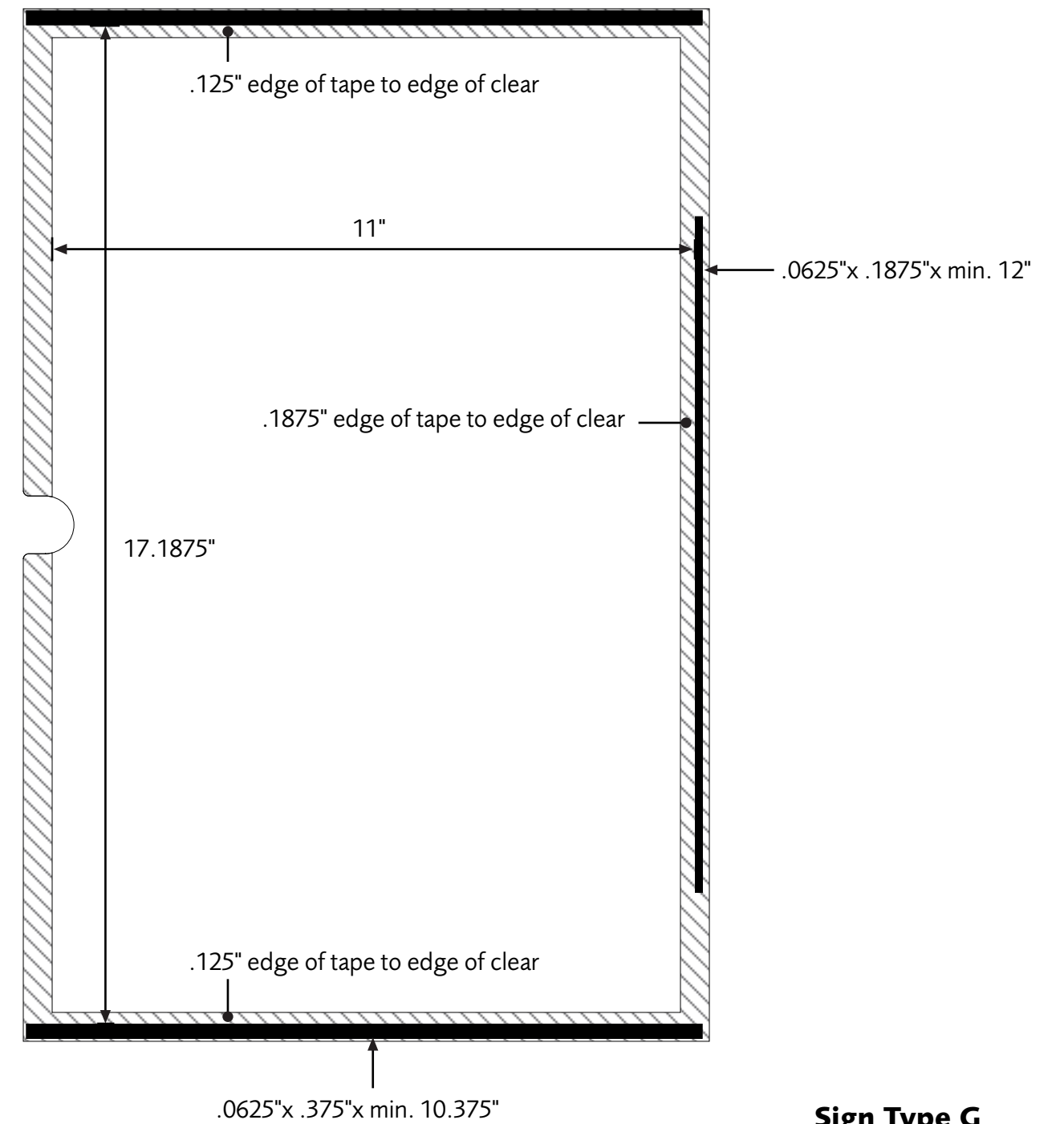
1. .125" non glare Lucite CP acrylic with router cut edges, smooth and free of sharp edges.
2. Second surface color to match 3M premium vinyl film 220-41, Dark Grey.
3. Front panel is applied to back panel using .0625"x .1875" 3M brand #4496B foam tape.
4. .125" Lucite CP acrylic with router cut edges, smooth and free of sharp edges.
5. Second surface color to match 3M premium vinyl film 220-41, Dark Grey.
6. Apply premium vinyl film or polyester for protection.
7. Signs are installed using 3M black foam tape #4052, with clear Silicone adhesive as needed

Sign Type G
11 x 17"
insert holder

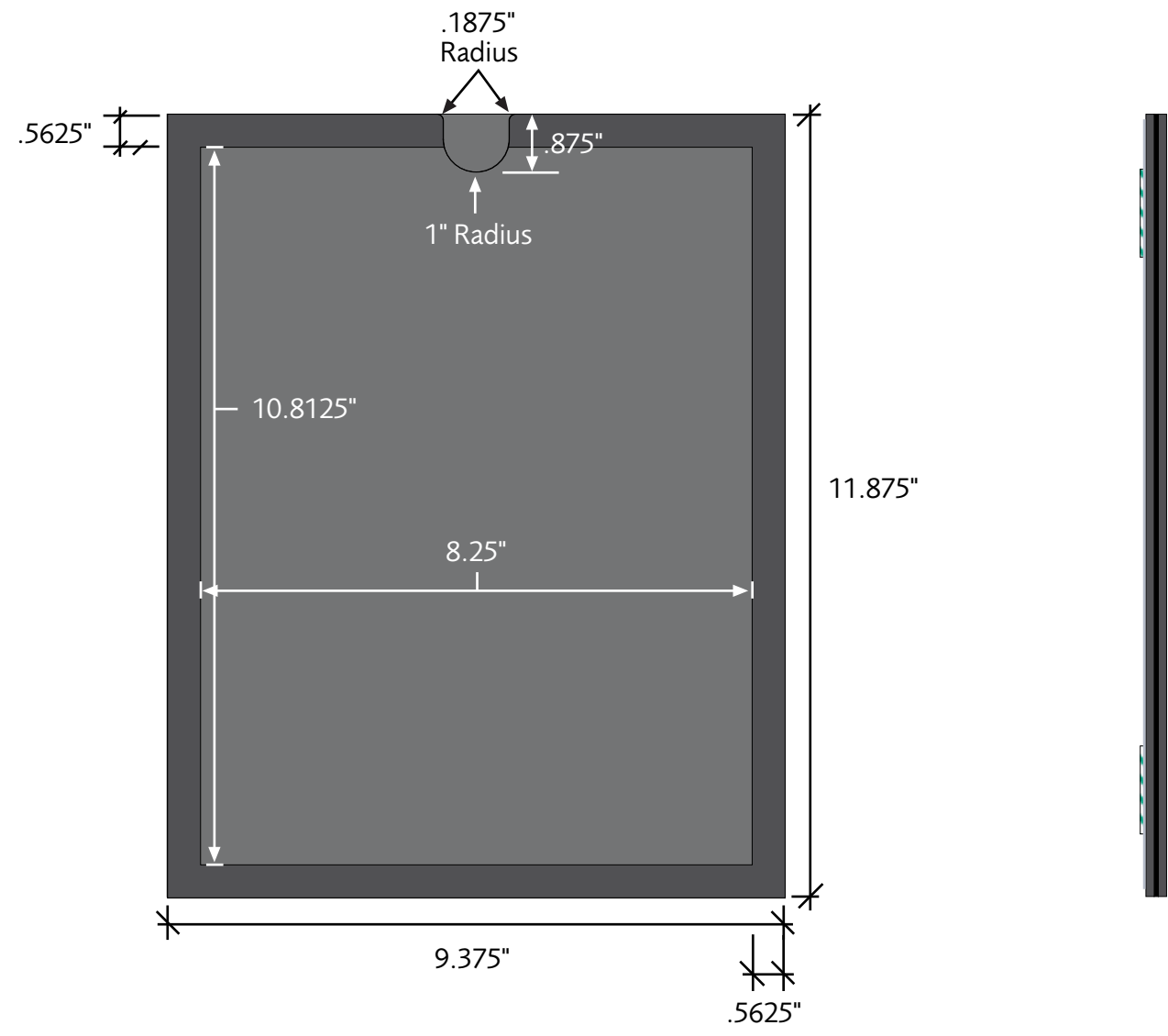
Tape Pattern Detail



Tape Pattern Detail



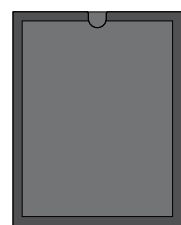
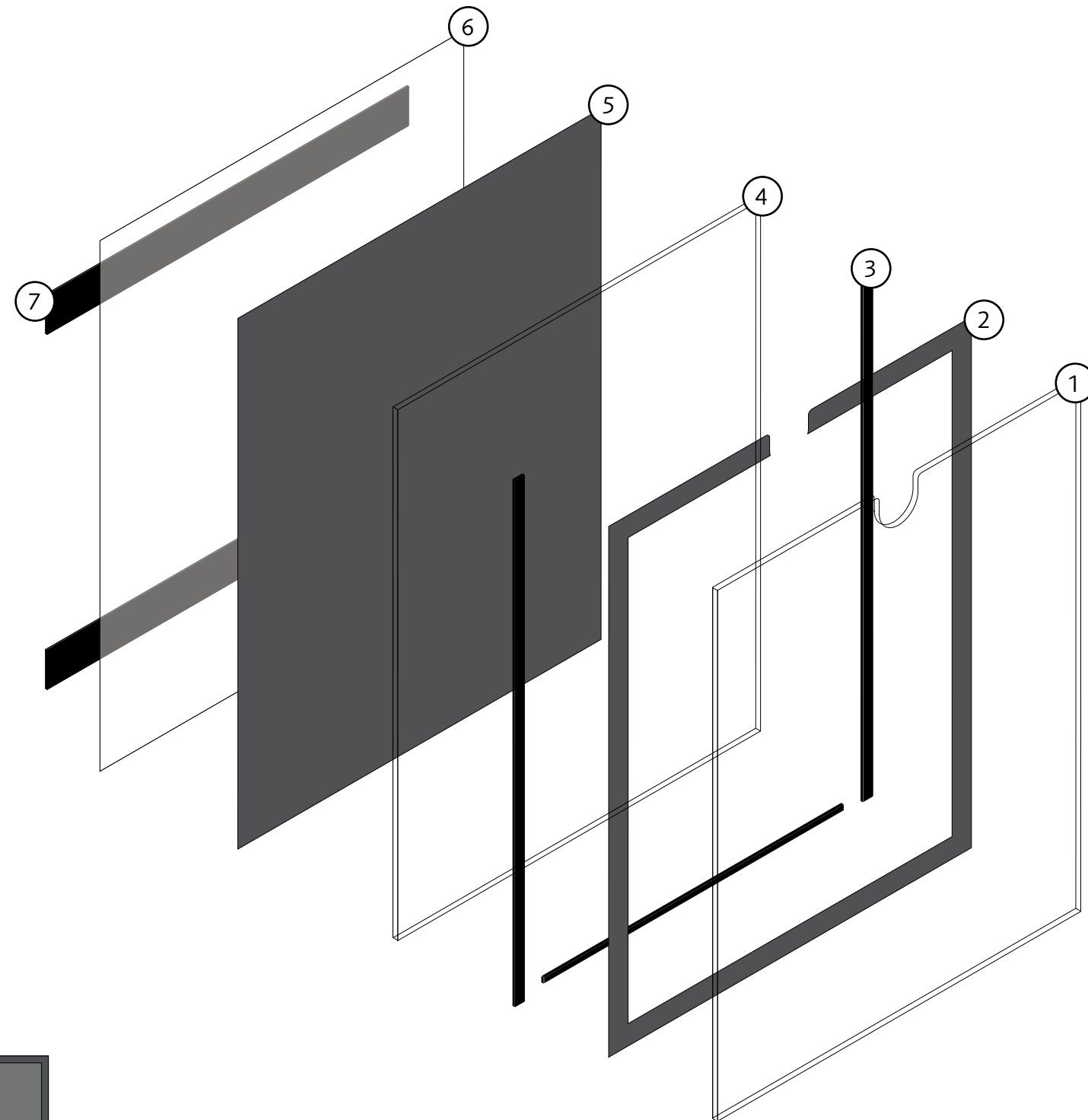
Sign Type G
11 x 17"
insert holder



Sign Type H
 8.5 x 11"
 insert holder

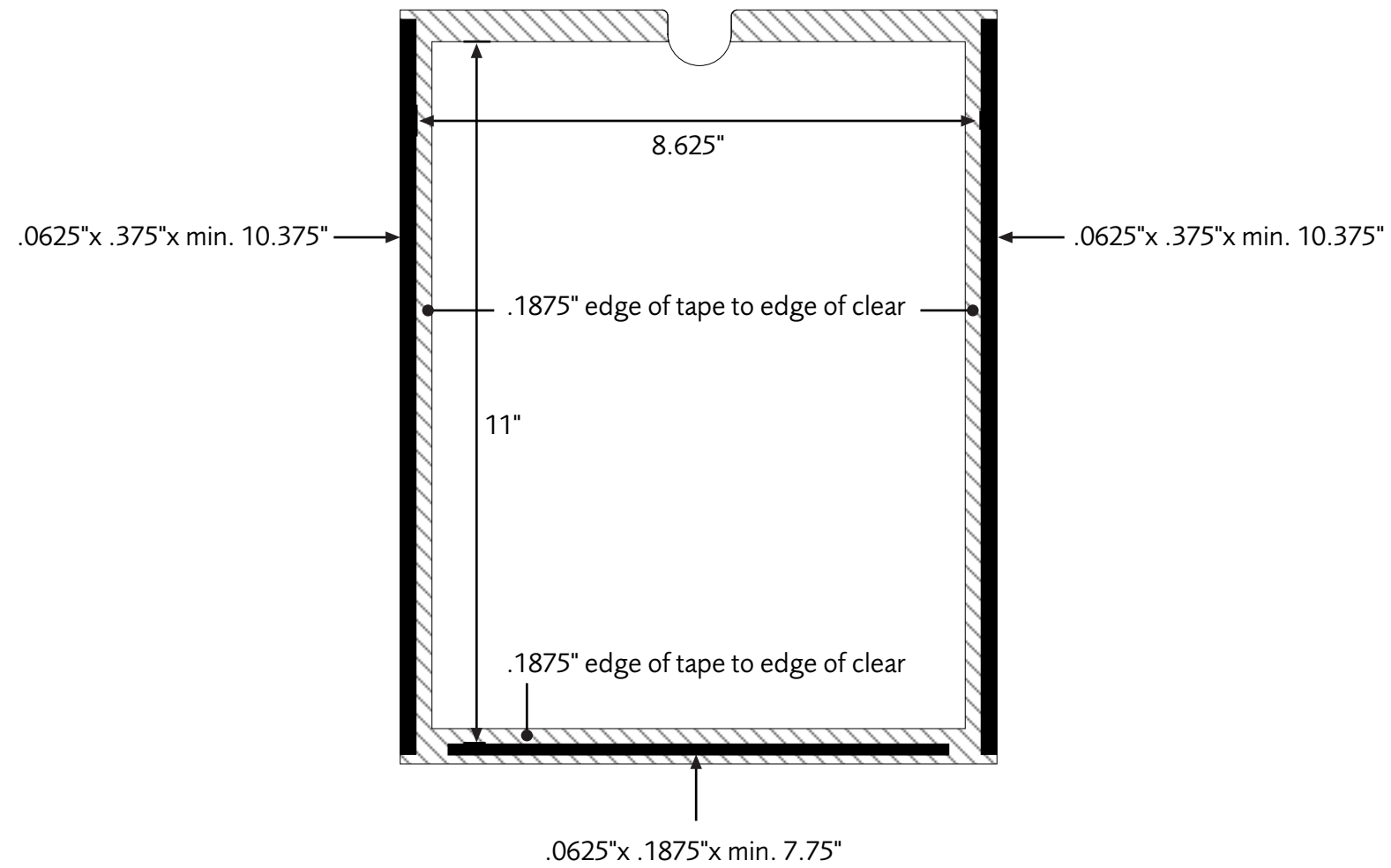
Sign Type H Cont.—8.5 x 11" insert holder

1. .125" non glare Lucite CP acrylic with router cut edges, smooth and free of sharp edges.
2. Second surface color to match 3M premium vinyl film 220-41, Dark Grey.
3. Front panel is applied to back panel using .0625"x .1875" 3M brand #4496B foam tape.
4. .125" Lucite CP acrylic with router cut edges, smooth and free of sharp edges.
5. Second surface color to match 3M premium vinyl film 220-41, Dark Grey.
6. Apply premium vinyl film or polyester for protection.
7. Signs are installed using 3M black foam tape #4052, with clear Silicone adhesive as needed



Sign Type H
8.5 x 11"
insert holder

Tape Pattern Detail



Sign Type H
8.5 x 11"
insert holder